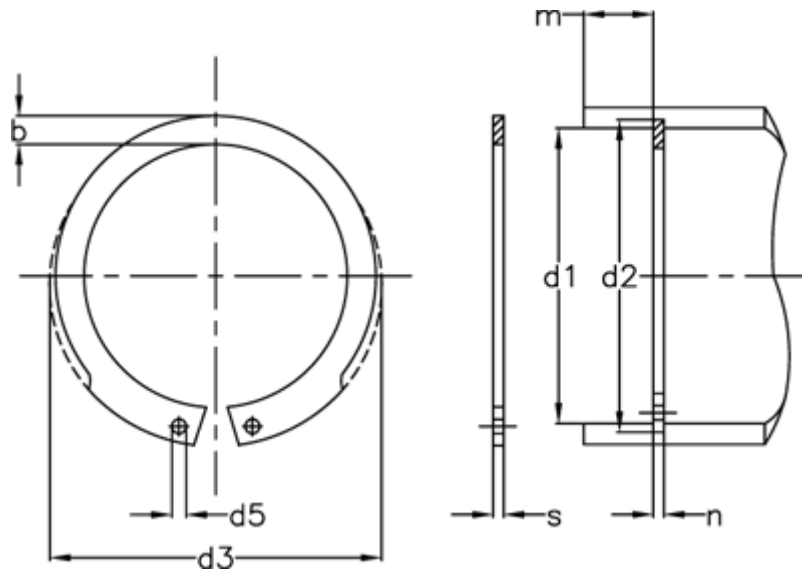


Article number: 0106079

Description: Retaining ring JV 65

## Measures



|                    |         |               |         |                |              |
|--------------------|---------|---------------|---------|----------------|--------------|
| AN mm <sup>2</sup> | = 155   | FRg kN        | = 20.6  | tol            | = 0.2        |
| b                  | = 5.7   | FR kN         | = 122.0 | tol            | = -0.07      |
| d1                 | = 65    | g             | = 2.5   | tol            | = +1,10-0,46 |
| d2                 | = 68.0  | K kN-mm       | = 218.0 | tol            | = +0,30      |
| d3                 | = 69.2  | m min         | = 2.65  | Tong           | = ZGJ-3      |
| d5 min             | = 2.5   | Nominal drive | = 4.5   | Weight kg/1000 | = 16.25      |
| Description        | = JV 65 | s             | = 2.50  |                |              |
| FN kN              | = 25.80 | t             | = 1.50  |                |              |